

JOST

A400 Landing Gear



- Internal gearbox protects gears
- Sealed cover prevents moisture ingress
- Double 'D' style shaft
- Ductile iron gears for long life
- Very compact construction with high efficiency and extremely low wear

JOST New Zealand Ltd | www.jostnz.co.nz | Ph 0800 567 869 | sales@jostnz.co.nz

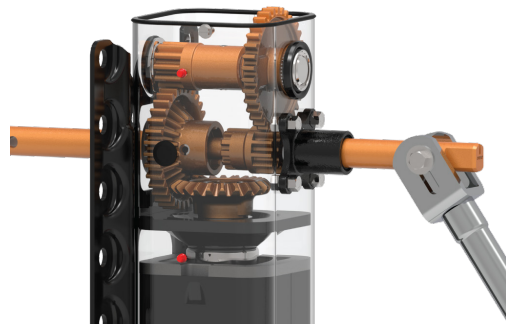
Member of JOST World

The A400 Family...

Internal gear box

JOST's signature internal gearbox protects gears and prevents shaft misalignment for long-term reliability and minimal maintenance.

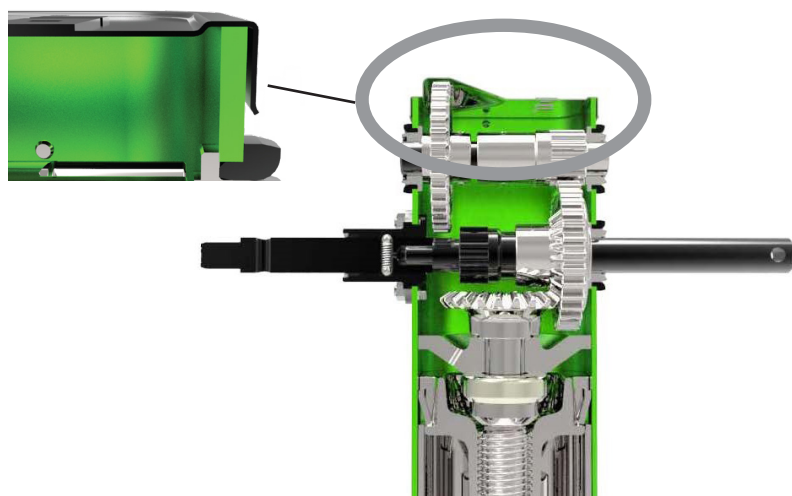
- Gearing mechanism is an integral part of one sturdy leg column
- High speed, high gearing for faster, efficient operation
- The in-line shaft keeps the shifting smooth and stable eliminating excessive play in the geartrain
- Double reduction delivers real power in low gear



Sealed cover and bushings

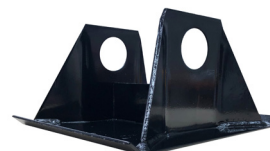
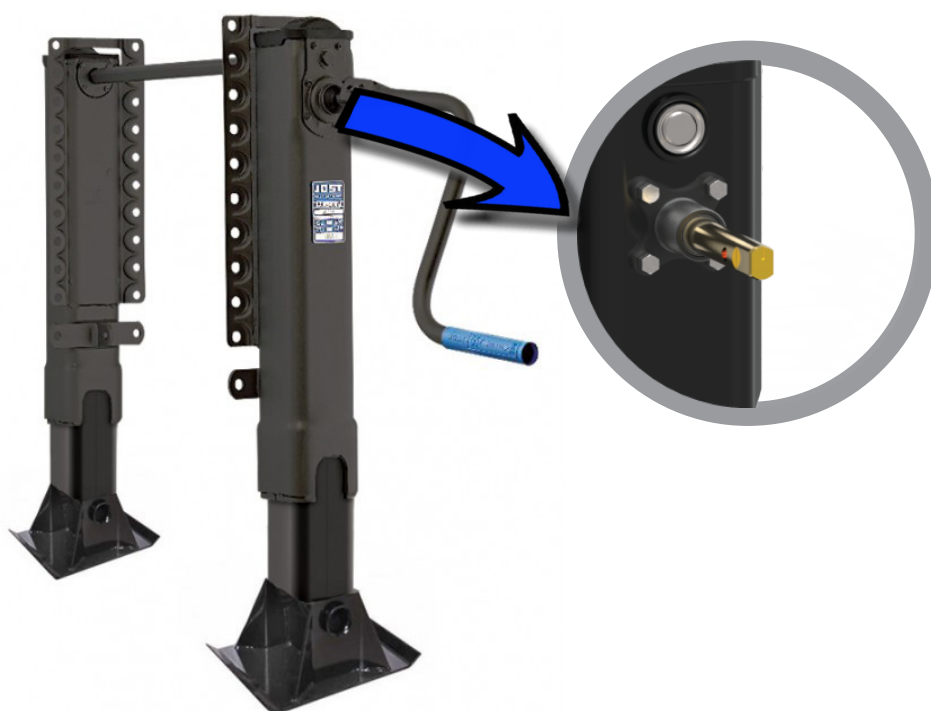
Both cover and bushings are sealed to keep moisture out, reducing exposure to road chemicals and water that can cause damage.

Grease coats all moving parts in gear box



Double "D" type shaft

Eliminates torque on the bolt, enabling crank force to go directly into the gearbox, extending the lifetime value and reliability of the product.



A400 T-Foot



A400 S-Foot



A400 A-Foot*



A400 G-Foot*

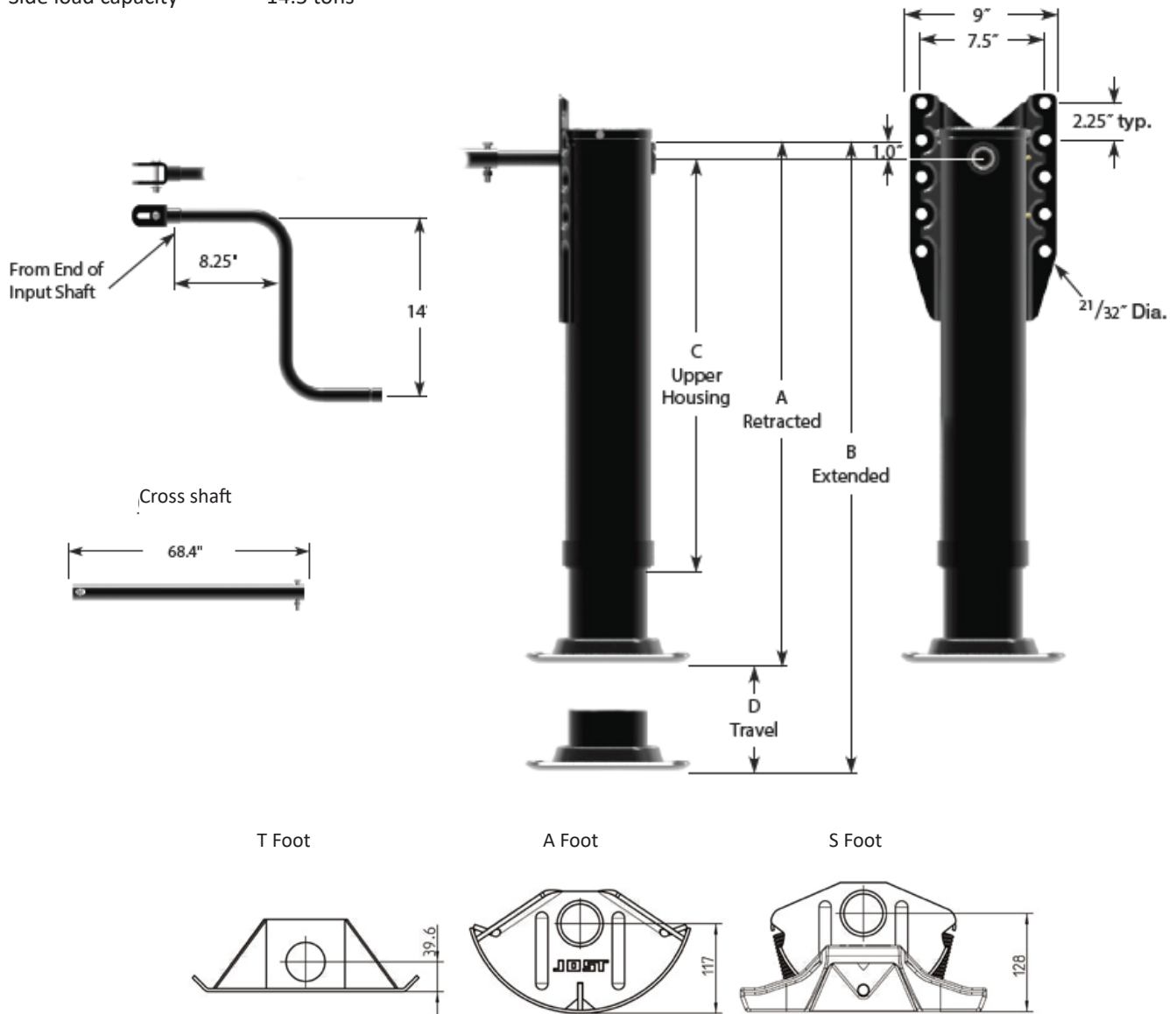
*No longer available as new in NZ

A400 Landing Gear

Specifications

Load capacities per pair:

Lifting capacity	25 tons at 100 ft. lbs input torque
Static load capacity	80 tons
Side load capacity	14.5 tons



Part No*	D (mm) Travel	A (mm) Extended	B (mm) Retracted	C (mm) Upper housing
A400S-14	355.6	1082.675	727.075	557.276
A400S-17	431.8	1235.075	803.275	633.476
A400S-19	482.6	1366.675	854.075	684.276
A400T-14	355.6	1082.675	727.075	557.276
A400T-17	431.8	1235.075	803.275	633.476
A400T-19	482.6	1366.675	854.075	684.276

*NZ models only

Spare parts

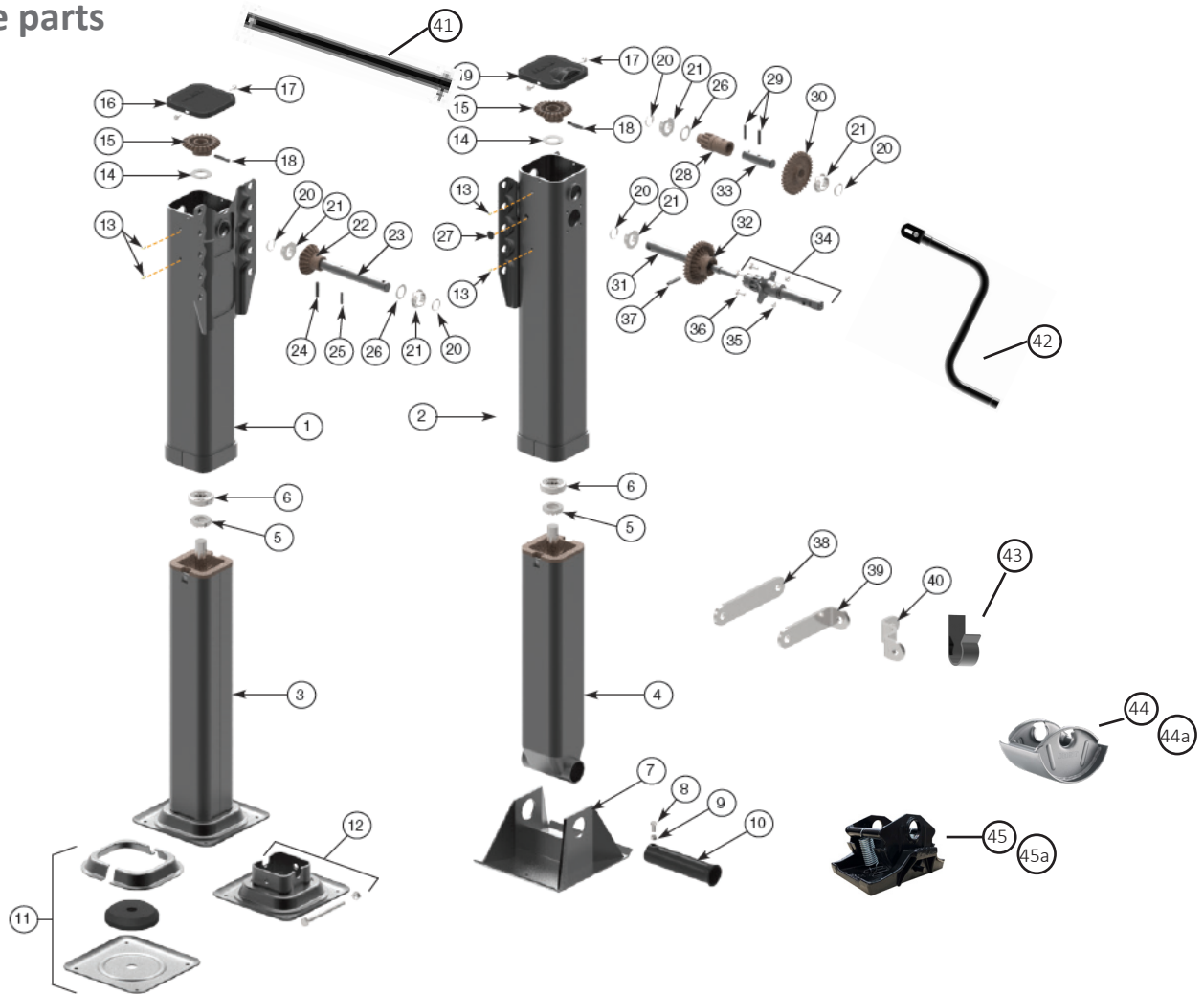


Fig	Description	Part No.	Fig	Description	Part No.
1	Single speed Upper leg	*	25	Roll Pin	A10054.6
2	Two speed Upper leg	*	26	Washer	A10218
3	Lower Leg Assembly for Cushion Foot	*	27	Button Plug	A10500
4	Lower Leg Assembly for Sand Shoe	*	28	Output Spur Gear	C10078
5	Collar	A10101	29	Spiral Pin	A10260.1
6	Thrust Bearing	A10033	30	Spur Idler Gear	C10085
7	T Foot 10" x 10" x 4½"	C10035	31	Two Speed Output Shaft	B10236
	T1 Foot low profile 10" x 10" x 1.6"	C10135	32	Output Cluster Gear	C10234
8	Hex Head Cap Screw	A10037.3	33	Two Speed Idler Shaft	A10212
9	Lock Nut	A10038.7	34	Shifter Assembly	B10229S
10	Axle	B10036	35	Lock Nut	A10038.6
11	10"x10" Weld On Cushion Foot Kit	C10717	36	Shifter Housing Bolt	A10230
12	10"x10" Bolt On Cushion Foot Kit	12497	37	Roll Pin	A10054.7
13	Grease Fitting	A10040	38	Brace Lug- Flat	C10262
14	Thrust Washer	A10102	39	Brace Lug- 90°	C10263
15	Bevel Gear	C10155	40	Brace Lug- "W" (Standard)	C10108
16	Single Speed Cover	C10259	41	Intermediate cross shaft	B10066
17	Cover Screw	A10059.1	42	Standard crank w. hardware	C10592.4
18	Grooved Pin	A10052.3	43	Crank hanger	B10261
19	Two Speed Cover	C10217	44	A Foot for air suspension	JS1116-340C
22	Pinion Gear	C10177	44a	Axle	B1036.1
23	Single Speed Input Shaft	B10130	45	S Foot	JS1116-358CN
24	Roll Pin	A10054.3	45a	Axle	B1036.1

* Items 1-4 not available as separate item - L/H and R/H legs available separately, with or without foot