

JOST

MODUL Landing Gear



- Patented internal gearbox
- Easy to assemble and replace foot system
- Compact design of the internal Modul drive
- Increased lifting force compared to comparable products
- Outstanding corrosion protection
- Very compact construction with high efficiency and extremely low wear

JOST New Zealand Ltd | www.jostnz.co.nz | Ph 0800 567 869 | sales@jostnz.co.nz

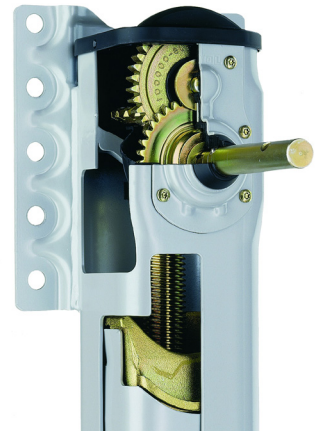
Member of JOST World

The JOST Modul Family...

Modul drive - Optimum protection

The patented drive is perfectly protected by the internal construction. In addition it offers various advantages in daily use:

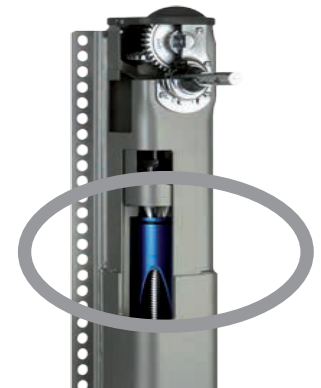
- Easy to change between high and low gears
- Very compact construction with high efficiency and extremely low wear
- High speed, high gearing for faster, efficient operation
- Low maintenance
- **Available in light weight aluminium**



Low maintenance - Long lasting

The Modul landing gears are equipped with a long-term lubrication. Therefore they can be used for up to three years without lubrication.

- Long-lasting, low maintenance drive
- Additional reinforcement for lateral-force resistance
- Compact design of the internal drive
- Premium surface through powder coating



Modular design - Greater flexibility

Modul B offers very versatile use. It can take on any task as it features six mounting heights and an easy-to-assemble and easy-to-replace foot system with four different foot types.

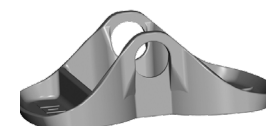
Greatest flexibility of installation thanks to various mounting heights, back plates, crank handles and connection shafts



Modul S-Foot



Modul T-Foot



Modul TC-Foot



Modul A-Foot

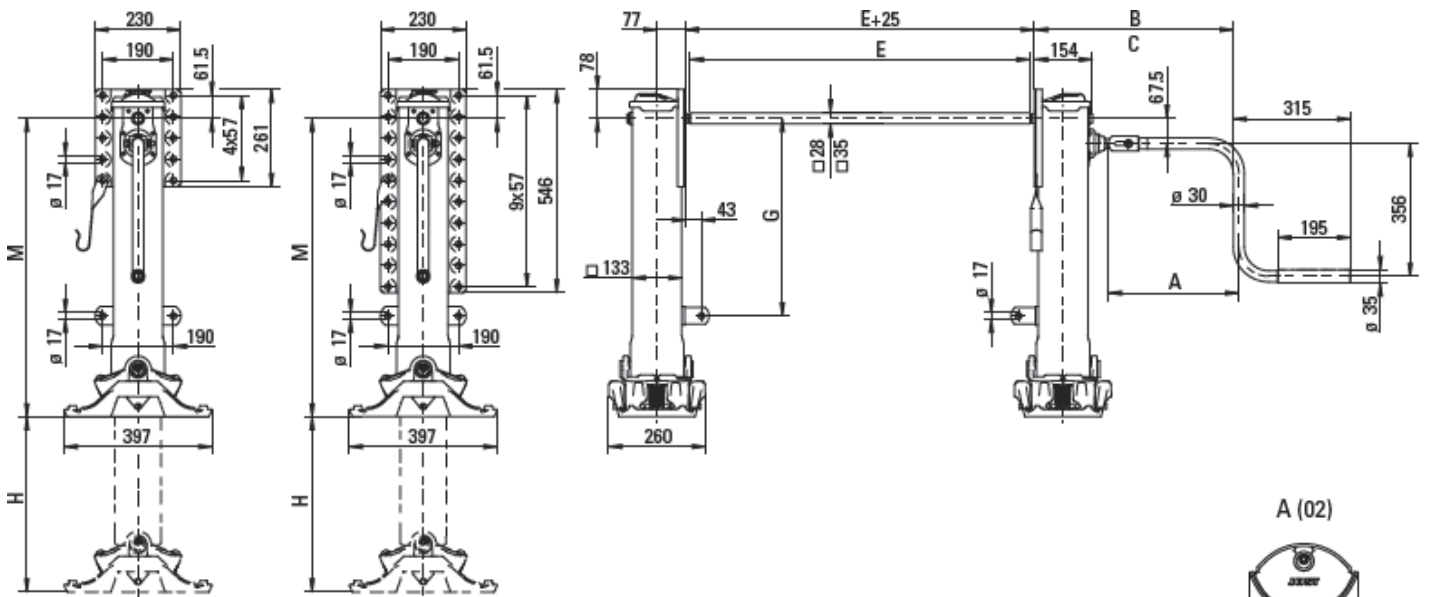


MODUL B Landing Gear

Specifications

Load capacities per pair:

Lifting capacity	24 tons
Static load capacity	50 tons
Crank force at 16t lifting capacity	14.5 tons
Lift per handle turn	
• Low gear	0.9mm
• High gear	15.0mm



A (02)



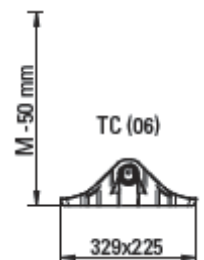
S (01)



T (04)



TC (06)



Part No. ¹	M	H	G	Type of foot	A	E
B0201-010510	850	520	580	S	520	1790
B0201-040510	850	520	580	T	520	1790
B0201-060510	850	520	580	TC	520	1790
B0301-010510	800	470	530	S	520	1790
B0301-040510	800	470	530	T	520	1790
B0301-060510	800	470	530	TC	520	1790
B0401-010510	750	430	480	S	520	1790
B0401-040510	750	430	480	T	520	1790
B0501-010510	700	400	430	S	520	1790
B0501-040510	700	400	430	T	520	1790
B0501-060510	700	400	430	TC	520	1790
B0601-010510	650	350	380	S	520	1790
B0601-040510	650	350	380	T	520	1790

¹ JOST NZ range (other options available for indent)

Spare parts

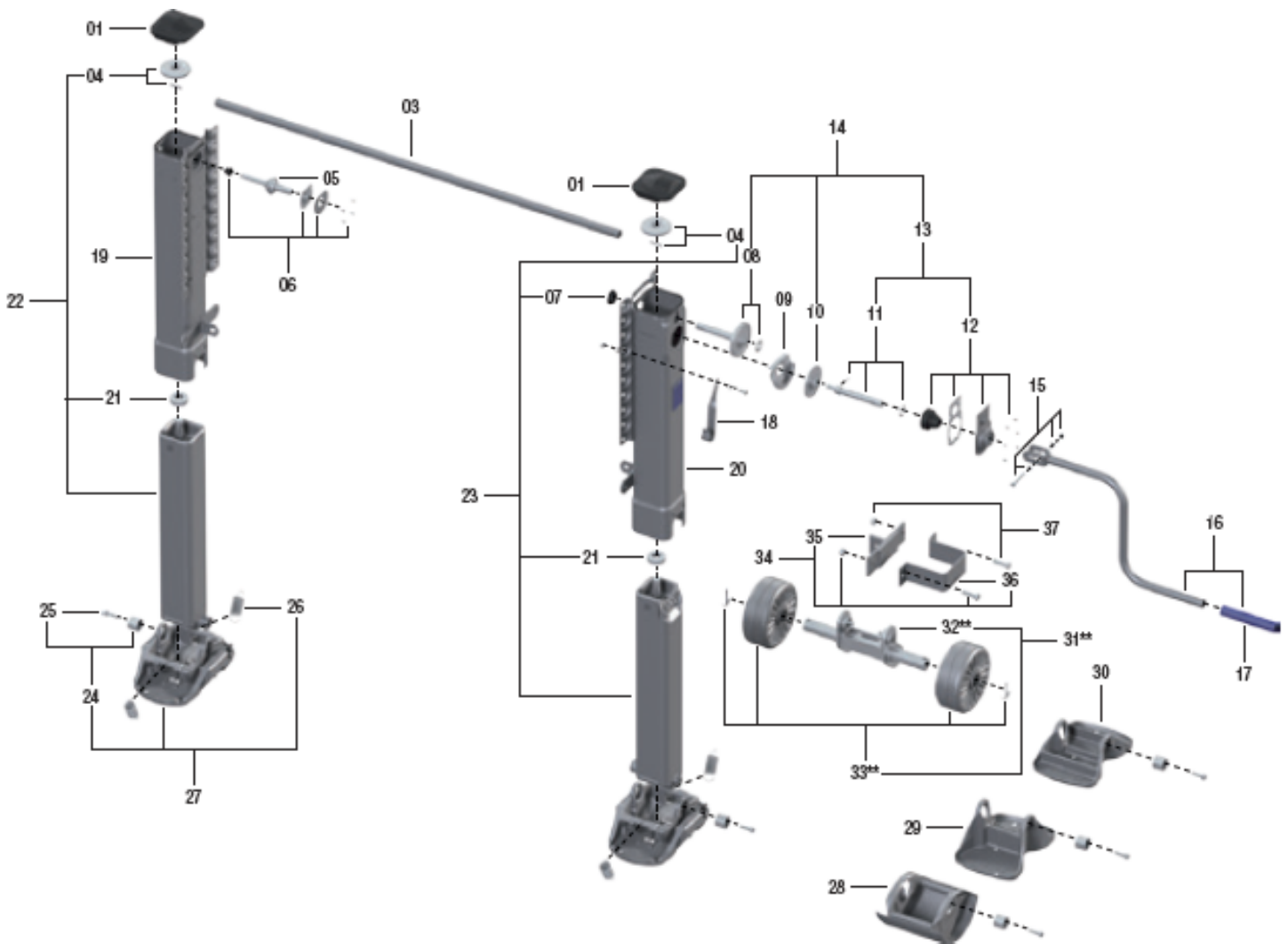


Fig	Description	Part No
01	Cover with bolts	JSE0046100
03	Cross shaft	JSL10
04	Bevel gear with bolts	JSE0058600
05	Shaft	JSE0001500
06	Bearing compl.	JSE0046200
07	Bearing	JSE0001800
08	Shaft with bearing	JSE0058700
09	Grease tank	JSE0002000
10	Gear	JSE0055800
11	Crank shaft	JSE0046500
12	Bearing holder	JSE0058800
13	Crank shaft and bearing holder	JSE0056600
14	Drive, with 8,10,13	JSE0083700
15	Bolts, washers, nuts	JSE0043100
16	Crank with 17, 18	JSU05
18	Crank parking hook	JSE0040202
19	Shaft L/H *	
20	Shaft R/H *	

Fig	Description	Part No
21	Axle bearing, replaces version with washer	JSE0066401
22	Inner tube + spindle L/H*	
23	Inner tube + spindle R/H*	
24	Nut & bolt***	JSE1043300
25	Nuts	JSE0055300
26	Spring	JSE0012900
27	S-Foot	JSD01
28	A-Foot	JSD02
29	T-Foot	JSD04
30	TC-Foot****	JSD06
31	R-Foot** w. 24, 32, 33	JSD03
32	Wheels with split pins**	JSE0062200
33	Wheel holder**	JSE0067300
34	Clamp with angle incl 35,36,37	JSE10.010
35	Angle	JSE10.001
36	Clamp	JSE10.002
37	Nut and bolt	JSE020.004

* Only available with complete leg

** Up to 2009

*** Up to 2009, 4 per kit, from 2009 2 per kit

**** 06/TC version installation height reduced by 50mm



Other options



The MODUL series of landing gear is extremely versatile. Thanks to its modular construction with variable mounting and operating heights, various crank handles and connection shaft lengths and different foot types, all client requirements can be met.

- Inside mount
- Drop legs
- Drawbar legs
- Heavy duty
- Tank and silo trailers
- Two sided
- Aluminium

Contact us to discuss your requirements

JOST New Zealand Ltd | www.jostnz.co.nz | Ph 0800 567 869 | sales@jostnz.co.nz

JOST ROCKINGER TRIDEC