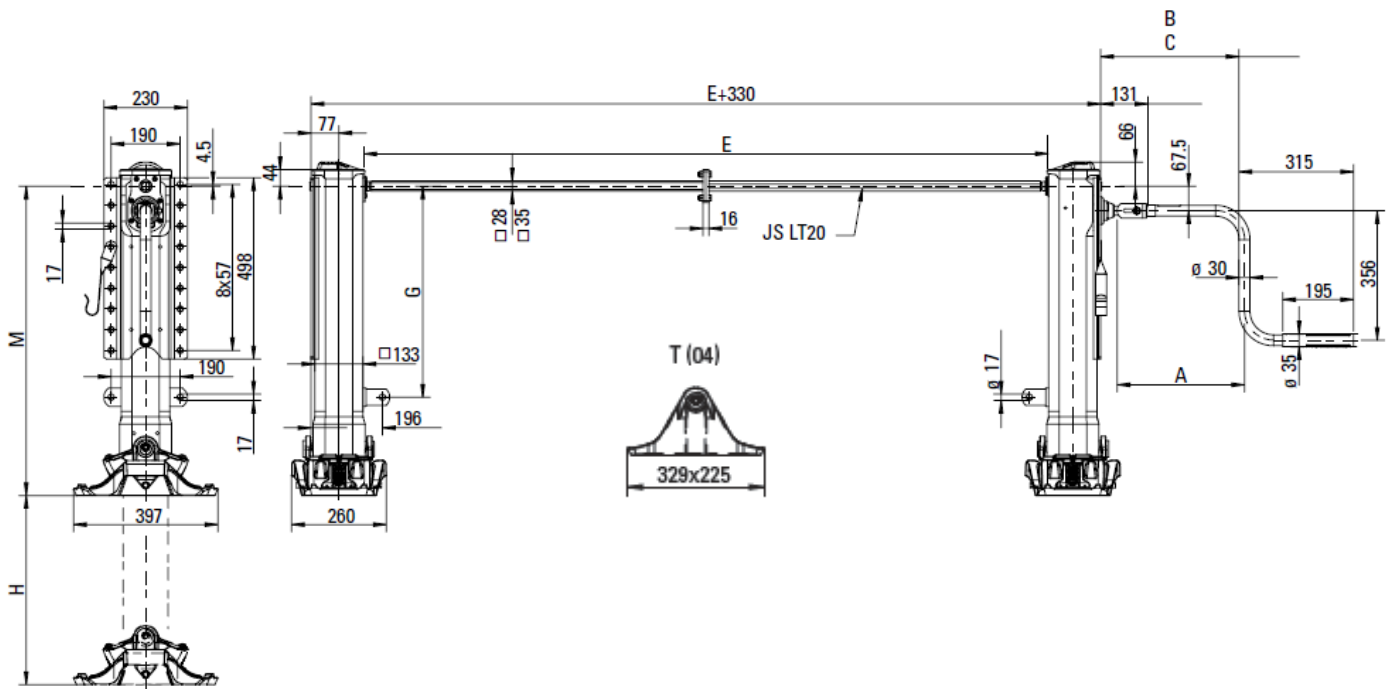


MODUL Landing Gear Internal mount



- Inside chassis mounting Easy to assemble and replace foot system
- For semi trailers with external chassis or self supporting structures
- External back plate
- Outstanding corrosion protection
- Also available with two side operation and special crank (indent)



Part No. ¹	M (mm)	H (mm)	G (mm)	Back plate	Foot	E (mm)	A (mm)	B (mm)	C (mm)
CI102340000	900	560	630	Double	T	1790	520	586	570

¹ JOST NZ range (other options available for indent)

Load capacities per pair:

Lifting capacity	24 tons
Static load capacity	50 tons
Crank force at 16t lifting capacity	210 kN
Lift per handle turn	
• Low gear	0.9mm
• High gear	15.0mm



Modul T-Foot

Spare parts

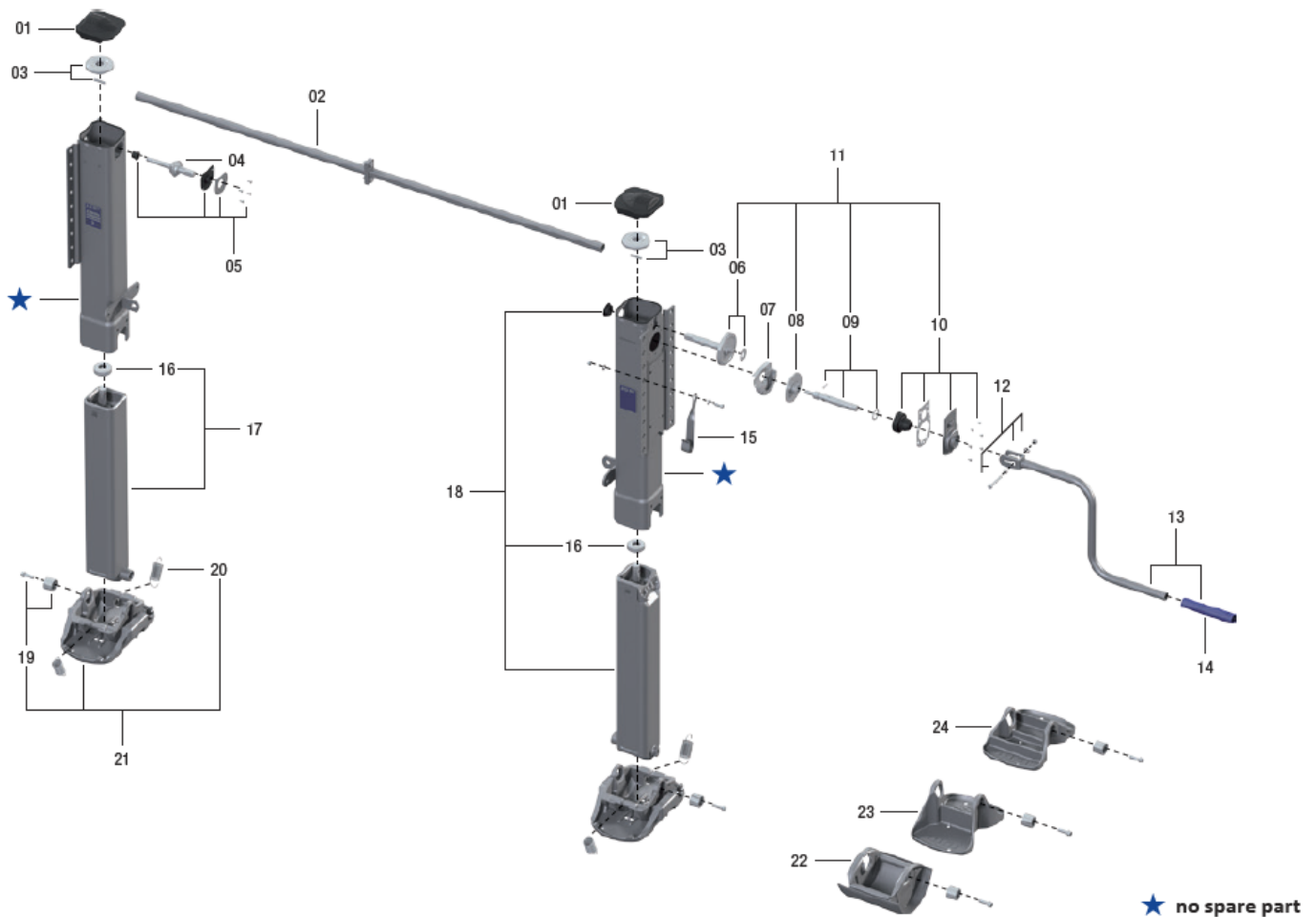


Fig	Description	Part No	Fig	Description	Part No
01	Cover with bolts	JSE0046100	13	Crank w. 14	JSU02
02	Cross shaft	JSL10	15	Crank hook	JSE0040202
03	Bevel gear with bolts	JSE0058600	16	Axial bearing	JSE0066401
04	Shaft	JSE0001500	17	Inner tube *	
05	Bearing	JSE0046200	18	Spindle w. 16 *	
06	Shaft with Bearing	JSE0058700	19	Nut and bolt **	JSE1043300
07	Grease tank	JSE0002000	20	Spring	JSE0012900
08	Gear	JSE0055800	21	S - Foot w. 19 + 20 ***	JSD01
09	Crank shaft	JSE0046500	22	A - Foot w. 19 ***	JSD02
10	Bearing holder	JSE0058800	23	T - Foot w. 19 ***	JSD04
11	Drive, with 6,8,9,10	JSE0083700	24	TC - Foot w. 19 ***	JSD06
12	Bolts, washers, nuts	JSE0043100			

*Only available with complete leg L/H or R/H

**Nut and bolt up to September 2009 Order No. JS E1043300 (4 per Kit)

***Nut and bolt from September 2009 Order No. JS E1043300 (2 per Kit)

***Only one fitting included in scope of delivery