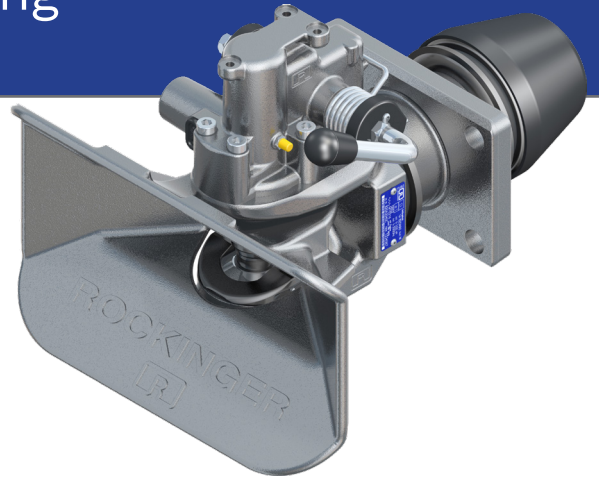


ROCKINGER

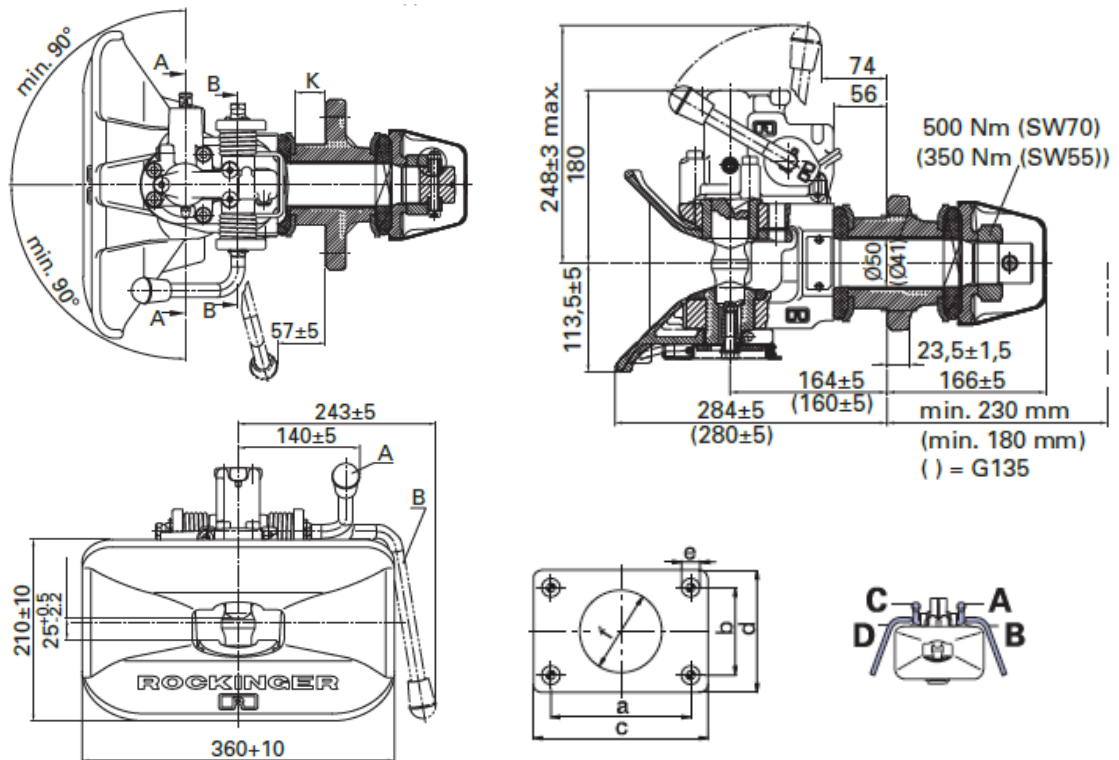
RO400B51001

40mm Automatic Towing Coupling



- D Value 130kN
- S Value 1000kgs
- 160 x 100mm bolt pattern
- Reinforced funnel
- Rotatable pin – consistent wear

Approval ECE E1 55R-010350



	a (mm)	b (mm)	c (mm)	d (mm)	e (mm)	K (mm)	Handle position
RO400B51001*	160	100	200	140	21	35	B

*NZ option

Spare parts

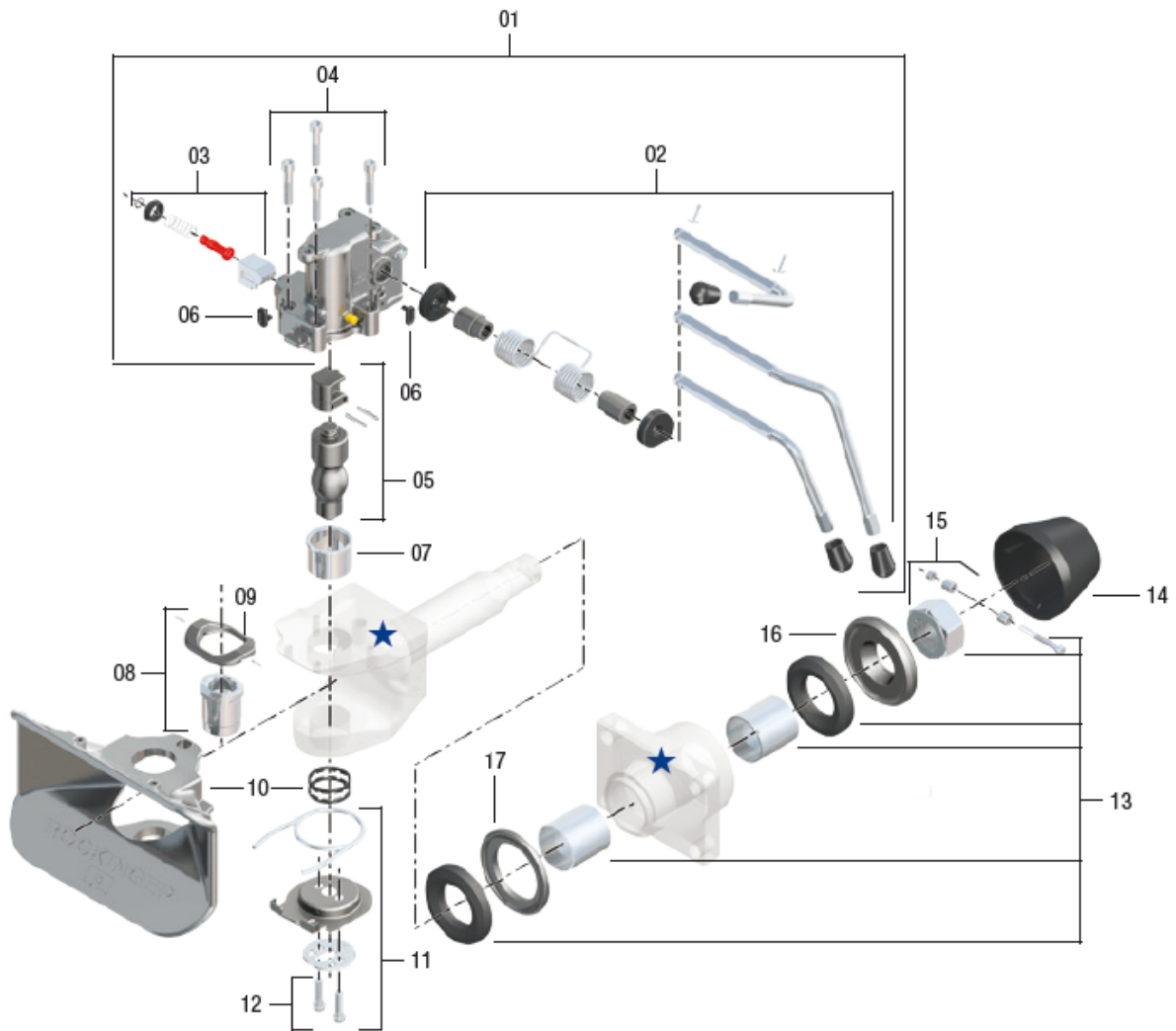


Fig	Description	Part No
01	Head & Handle assembly handle up	ROE71448A
01	Head & Handle assembly handle down	ROE71448B
02	Handle up	ROE71835A
02	Handle down	ROE71835B
03	Complete lock	ROE71491
04	Screw set	ROE30361
05	Coupling pin	ROE47099
06	Flap	ROE25558
07	Bush	ROE53520
08	Bush with support ring	ROE71718
09	Support ring	ROE59415

Fig	Description	Part number
10	Funnel	ROE46109
11	Base plate compl.	ROE71331
12	Screw set	ROE30486
13	Repair kit bearing	ROE71640
14	Cap	ROE25347
15	Hex nut	ROE71796
16	Conical plate	ROE59279
17	Spring cap	ROE44161
18	Support plate 160x100x20	ROE59466

Repair kit

Fig.	Repair Kit Description	Part No
03,04,05,07,08,11	Repair kit	ROE71728

Upgrade Options

In-cab status indicator & Drawbar turn angle warning system

The in-cab status indicator inspects the locking position of the coupling and sensor connections and shows them on an electric display in the cab. The drawbar turn angle warning system protects the vehicle and drawbar against damage as well as to rear mounted equipment e.g. tail lift cylinders

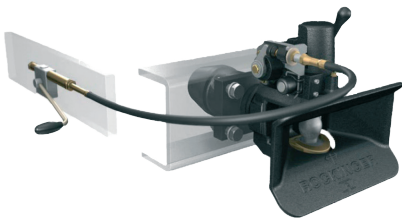
Part No. ROE 71546



Mechanical remote control

The mechanical remote control enables operation with towing hitches that are difficult to access.

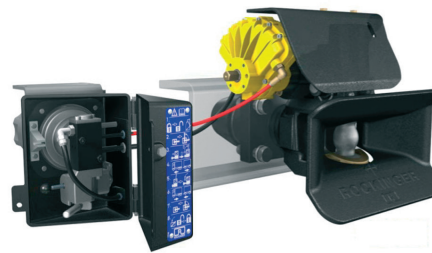
Part No. ROE 71676



Pneumatic remote control

The pneumatic control option brings power and convenience for opening and closing the coupling.

Part No. ROE 71461



Lubetronic - Automatic lubrication

ROCKINGER LubeTronic saves time-consuming, manual lubrication work on the coupling that has to be done during maintenance work.

The cartridge is filled with special oil and an ideal supplement for the lubrication filling of the coupling.

It has a product life of up to two years, depending on the model.

Part No. ROE 71624-1





In the worst case scenario, all it takes is a non-functioning fifth wheel coupling locking mechanism, a bolt that is unable to stand up to sufficient pressure, or even just a defective screw to cause an accident. Always choose genuine JOST parts.

Dealers and workshops which sell or install non-genuine items are fully liable for the consequences of their failure. Offering non-original spare parts for connecting systems subject to type approval for sale may be subject to prosecution.

JOST original spare parts and repair kits are available from our distributor network and workshops throughout New Zealand. See our web site for details .



JOST New Zealand Ltd | www.jostnz.co.nz | Ph 0800 567 869 | sales@jostnz.co.nz

JOST ROCKINGER TRIDEC