

# ROCKINGER

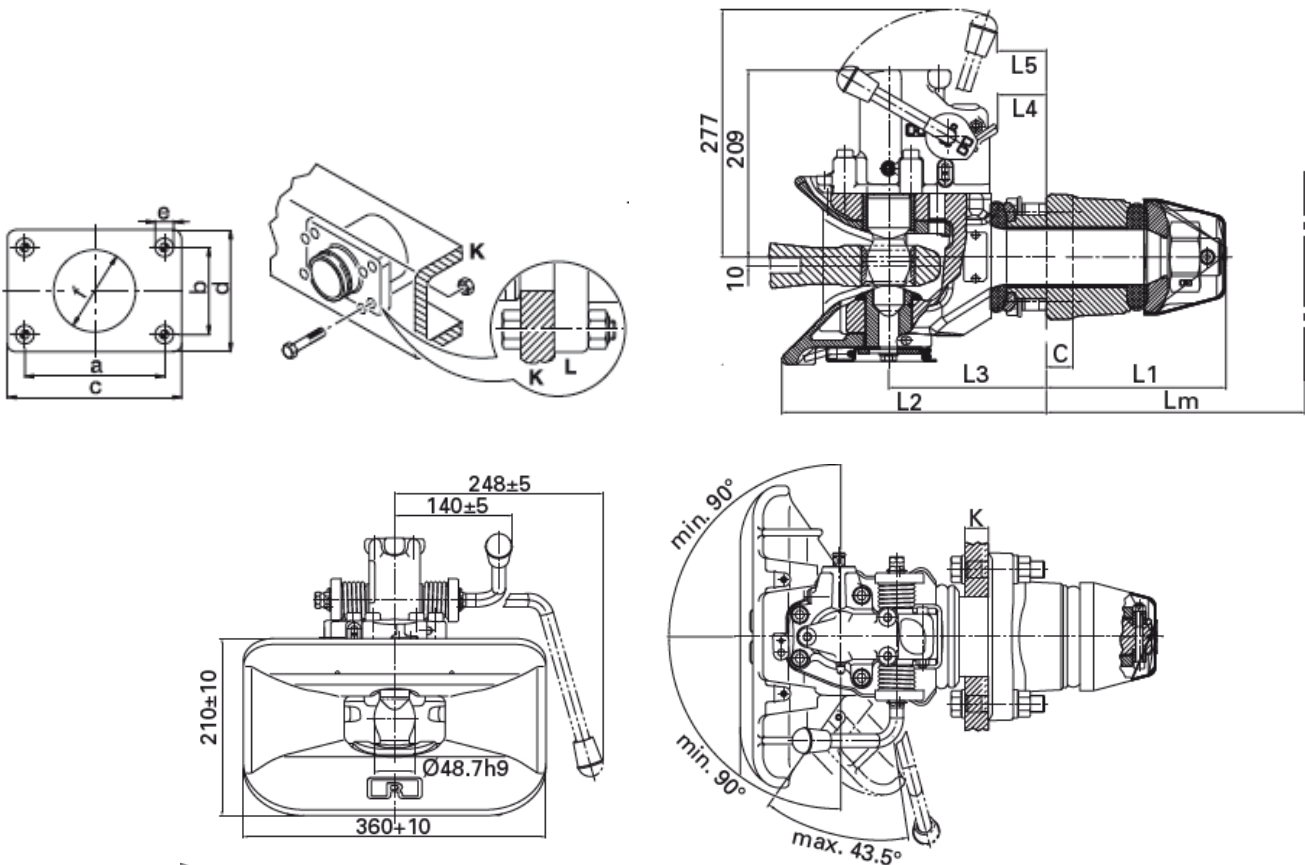
## RO500B66500

### 50mm Automatic Towing Coupling



- D Value 285kN
- S Value 2500kgs
- 160 x 100mm bolt pattern
- Strong one-piece handle
- Rotatable pin – consistent wear

Approval ECE E1 55R-011844



a (mm)	b (mm)	c (mm)	d (mm)	e (mm)	f (mm)	L1 (mm)	L2 (mm)	L3 (mm)	L4 (mm)	L5 (mm)	K (mm)	C (mm)	Lm (mm)
160	100	200	140	21	94	202	297	177	54	55	35	30	290

## Spare parts

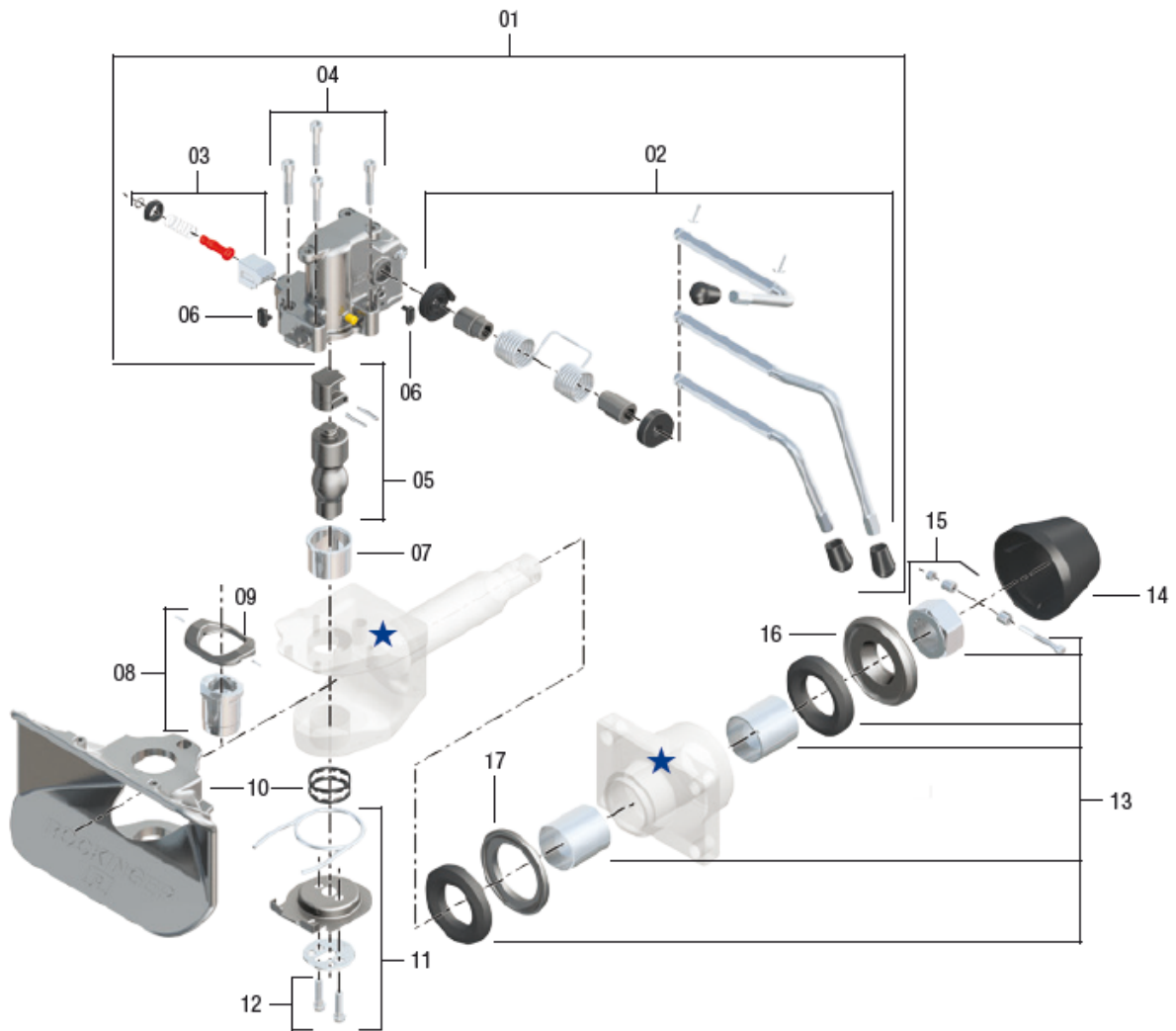


Fig	Description	Part No	Fig	Description	Part number
01	Head & Handle assembly handle up	ROE71442A	10	Funnel	ROE46145
01	Head & Handle assembly handle down	ROE71442B	11	Base plate compl.	ROE71331
02	Handle up	ROE71644A	12	Screw set	ROE30486
02	Handle down	ROE71644B	13	Repair kit bearing	ROE71801
03	Complete lock	ROE27009	14	Cap	ROE25347
04	Screw set	ROE30417	15	Hex nut	ROE71802
05	Coupling pin	ROE47130	16	Conical plate	ROE59393
06	Flap	ROE25558	17	Spring cap	ROE44177
07	Bush	ROE53604	18	Support plate 160x100x20	ROE59466
08	Bush with support ring	ROE53637	19	Safety system	ROE30492
09	Support ring	ROE59428			

### Repair kit

Fig.	Repair Kit Description	Part No
03,04,05,07,08,11	Repair kit	ROE71805

### RO500 Gauge

Pin and toweye wear limit guage



## Upgrade Options

### In-cab status indicator & Drawbar turn angle warning system

The in-cab status indicator inspects the locking position of the coupling and sensor connections and shows them on an electric display in the cab. The drawbar turn angle warning system protects the vehicle and drawbar against damage as well as to rear mounted equipment e.g. tail lift cylinders

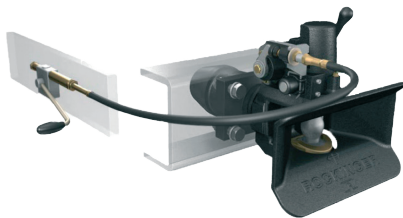
**Part No. ROE 71546**



### Mechanical remote control

The mechanical remote control enables operation with towing hitches that are difficult to access.

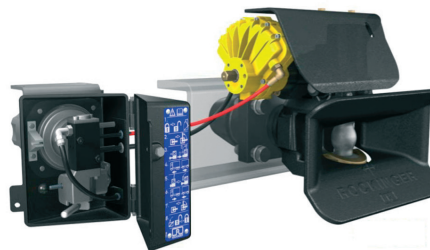
**Part No. ROE 71676**



### Pneumatic remote control

The pneumatic control option brings power and convenience for opening and closing the coupling.

**Part No. ROE 71677**



### Drawbar finder

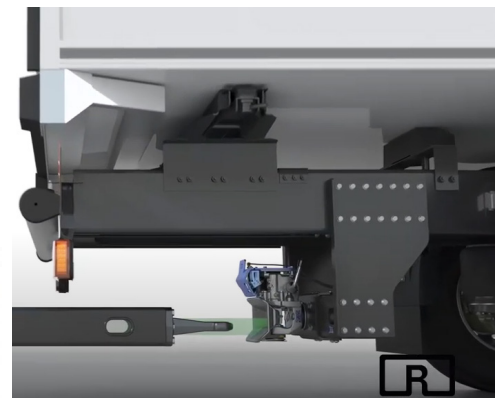
The Drawbar Finder provides easy-to-use support for coupling processes, which is a particular advantage when using fixed drawbar trailers. Available for commonly used remote controls

In-cab monitor provides visual guidance in two directions - allows precise coupling, reduces damage to trucks and trailers

Compatible with many OEM displays

**Part No. ROE 71947**

**Part No. 90521 Monitor**



### Lubetronic - Automatic lubrication

ROCKINGER LubeTronic saves time-consuming, manual lubrication work on the coupling that has to be done during maintenance work.

The cartridge is filled with special oil and an ideal supplement for the lubrication filling of the coupling.

It has a product life of up to two years, depending on the model.

**Part No. ROE 71624-1**







In the worst case scenario, all it takes is a non-functioning fifth wheel coupling locking mechanism, a bolt that is unable to stand up to sufficient pressure, or even just a defective screw to cause an accident. Always choose genuine JOST parts.

Dealers and workshops which sell or install non-genuine items are fully liable for the consequences of their failure. Offering non-original spare parts for connecting systems subject to type approval for sale may be subject to prosecution.

JOST original spare parts and repair kits are available from our distributor network and workshops throughout New Zealand. See our web site for details .



JOST New Zealand Ltd | [www.jostnz.co.nz](http://www.jostnz.co.nz) | Ph 0800 567 869 | [sales@jostnz.co.nz](mailto:sales@jostnz.co.nz)

**JOST ROCKINGER TRIDEC**